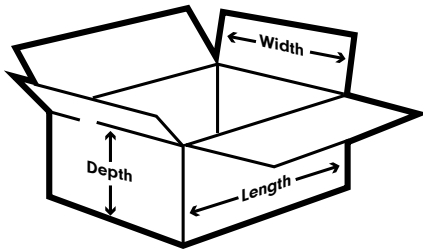


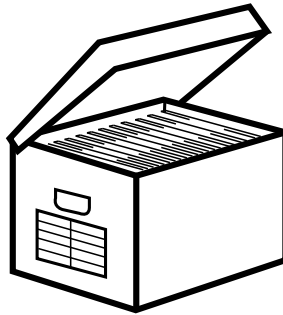
**IN STOCK & AVAILABLE IMMEDIATELY**

**• Call Tavens for Custom Applications Too •**



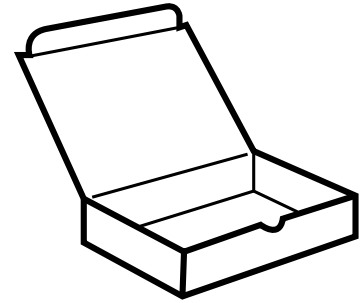
**Regular Slotted Cartons**

Our cartons are made of 200# test plain brown Kraft.



**One Piece Flip Top File Box**

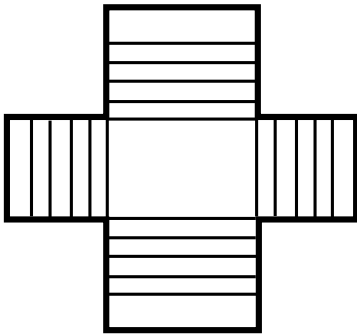
Our flip box is an economical way to store inactive or legal files. They are preprinted on both ends to allow for labeling.



**Mercury® Mailers**

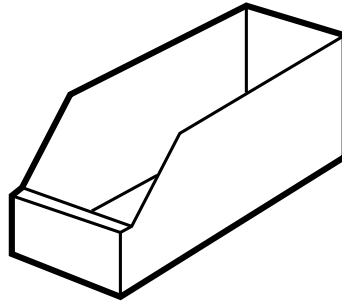
**A Die Cut Corrugated Carton with a Hinged Lid.**

Our mailer was designed for fast and economical packing, mailing, and storage of printed material.



**Variable Depth Folder**

Smaller quantities of 8 1/2 x 11 material are easily packed and mailed.



**Bin Boxes**

Taven's bin boxes assemble quickly and easily to help you organize and store parts.



**All Purpose Caution Cones**

These cones can be used in parking lots, driveways, janitorial applications, etc.

**Call Our  
• Stock Box •  
HOTLINE**

**(216) 883-3333**

or

**(216) 927-4015**

(fax line)

**Quantity Discounts!  
Call Us!!!**

**FREE Delivery!**

In the Metro-Cleveland area on any order over \$300

**Custom Sizes -**

We can manufacture to your exact needs.

Typically available in 5 business days or less.



**MANUFACTURING AND CORPORATE OFFICES:**

22475 AURORA ROAD  
BEDFORD HEIGHTS, OH 44146

**WAREHOUSE - for Stock box Pick-Up:**

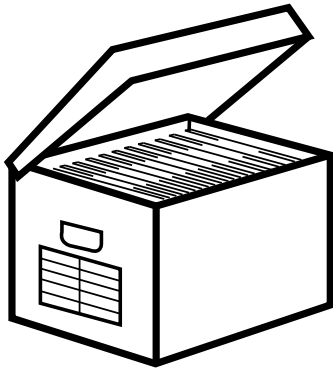
22475 AURORA ROAD  
BEDFORD HEIGHTS, OH 44146

We Accept VISA



and MASTERCARD





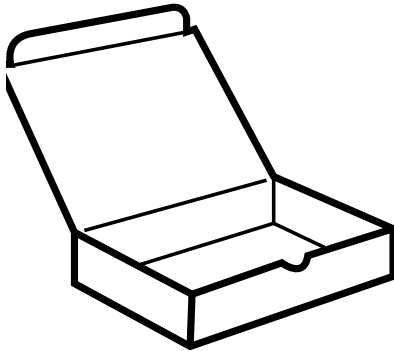
## One Piece Flip Top File Box

Our file box is an economical way to store inactive letter or legal files. They are well built and easily assembled. The attached cover overlaps the sides 2" to seal out dust and dirt. The mottle white exterior has preprinted indexes on both ends to allow for labeling. Built in handles allow the Taven's file box to be easily carried.

Available in:

**Legal & Letter Size - 15" x 12" x 10"**

**Full Drawer File Box - 24" x 12" x 10 1/4"**



## Mercury® Mailer

### A Die Cut Corrugated Carton with a Hinged Lid

Our mailer was designed for fast and economical packing, mailing, and storage of printed matter. Each is made from high grade 200# test mottle white corrugated board. For ease in use, actual length and width dimensions are + 1/4".

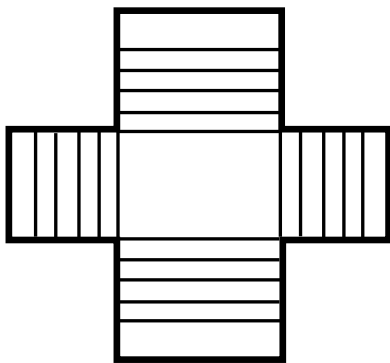
Bundle Count: 50

**Cat. No. 511** 8 1/2" x 11" x 2"

**Cat. No. 512** 9" x 12" x 2"

**Cat. No. 1011** 8 1/2" x 11" x 4"

**Cat. No. 1012** 9" x 12" x 4"



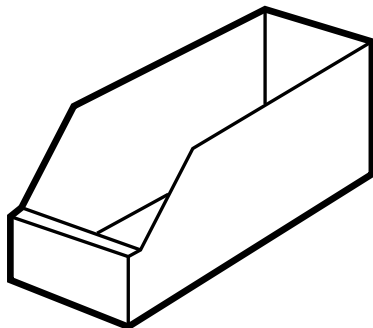
## Variable Depth Folder

Smaller quantities of 8 1/2" x 11" material are easily packed and mailed in our Variable Depth Folder. For ease in use, actual length and width dimensions + 1/8".

Bundle Count: 50

**Length, Width, Depth**

**8 1/2" x 11" x 1/2" x 1" x 1 1/2" x 2"**



## Bin Boxes

Taven's bin boxes assemble quickly and easily to help you organize an store parts.

Bundle Count: 25

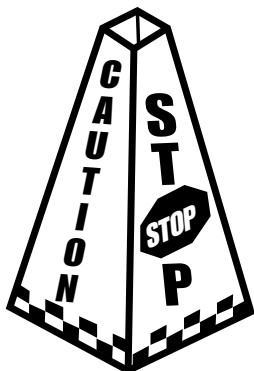
**Bin No. 1-** 10" x 5" x 4 1/2"

**Bin No. 4-** 13 1/2" x 7 3/4" x 4 1/2"

**Bin No. 2-** 13 1/2" x 3 3/4" x 4 1/2"

**Bin No. 5-** 16 1/4" x 5 1/4" x 4 1/2"

**Bin No. 3-** 13 1/2" x 5 3/4" x 4 1/2"

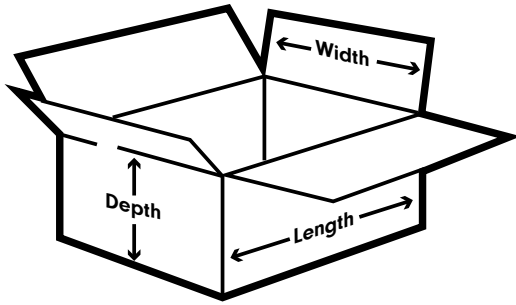


## All Purpose Caution Cone

These caution cones have many uses - parking lots, driveways, janitorial, etc.

**Custom printing available** - let us manufacture a custom cone with your company logo and information.

**Stock cone on yellow board printed in black as shown.**



**ALL ITEMS  
LISTED ARE IN  
STOCK NOW!**

## Regular Slotted Cartons

Our cartons are made of 200# test plain brown Kraft.

Length		Width		Depth	Bundle
4"	x	4"	x	4"	50
5"	x	5"	x	5"	50
6"	x	4"	x	4"	50
6"	x	6"	x	4"	50
6"	x	6"	x	6"	50
7"	x	7"	x	7"	25
8"	x	6"	x	6"	25
8"	x	8"	x	6"	25
8"	x	8"	x	8"	25
10"	x	6"	x	6"	25
10"	x	8"	x	8"	25
10"	x	10"	x	5"	25
10"	x	10"	x	10"	25
11 1/4"	x	8 5/8"	x	8"	25
12"	x	6"	x	6"	25
12"	x	8"	x	6"	25
12"	x	10"	x	8"	25
12"	x	12"	x	6"	25
12"	x	12"	x	12"	25
12 1/4"	x	9 1/4"	x	10"	25
13 1/2"	x	13 1/2"	x	7 1/2"	25
15"	x	10"	x	5"	25
15"	x	10"	x	10"	25
15"	x	15"	x	15"	20
16"	x	12"	x	8"	20
16"	x	12"	x	12"	20
16"	x	16"	x	16"	20
17 1/4"	x	11 1/4"	x	5"	25
17 1/4"	x	11 1/4"	x	10"	25
17 1/4"	x	11 1/4"	x	12"	25
18"	x	18"	x	12"	15
18"	x	18"	x	18"	10
18 1/4"	x	12 1/4"	x	10"	25
18 1/4"	x	12 1/4"	x	12"	25
20"	x	16"	x	14"	15
20"	x	20"	x	20"	10
20 1/2"	x	13 1/2"	x	7 1/2"	20
24"	x	10"	x	8"	20
24"	x	12"	x	12"	20
24"	x	24"	x	24"	10
25 1/2"	x	16 1/2"	x	14 1/2"	10

**CREDIT TERMS:** Open account terms of 1% 10 days, Net 30 days extended to all firms with satisfactory credit ratings, or references. Prices subject to change without notice.